



DNH

HEAD OFFICE, NORWAY

DNH AS

Phone..... + 47 35 98 56 00

Fax..... + 47 35 98 56 10

E-mail..... dnh@dnh.no

Web-Site..... www.dnh.no

ENGLAND

DNH WW Ltd

Phone..... + 44 1908 275 000

Fax..... + 44 1908 275 100

E-mail..... dnh@dnh.co.uk

GERMANY

DNH GmbH

Phone... + 49 040 6569 30-0

Fax..... + 49 040 6569 30-30

E-mail..... dnh@dnh.de

USA

DNH Speakers Inc

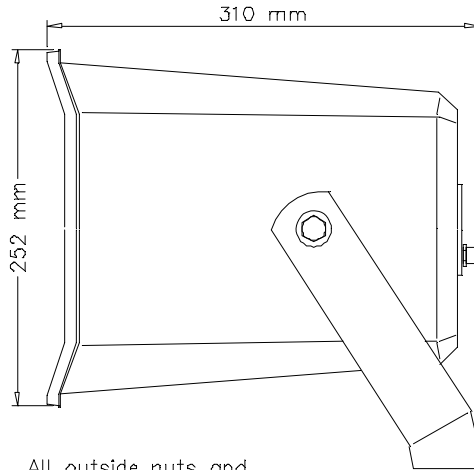
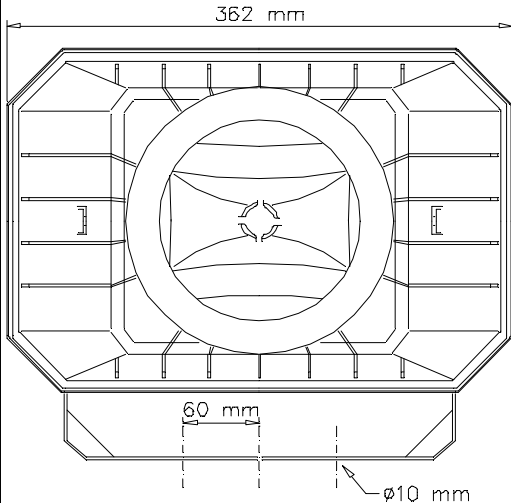
Phone..... + 1 484 494 5790

Fax..... + 1 484 494 5793

E-mail..... dnh@dnhspeakers.com

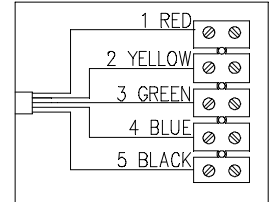
ISO 9001 CERTIFIED

MH-50



All outside nuts and screws in stainless steel

CONNECTION DIAGRAM



Cable gland
M-12
(2,5-6,5mm)

| 100V transformer Primary nominal tappings | | |
|-------------------------------------------------|--------|--------|
| Red | Yellow | 50,0 W |
| Yellow | Green | 25,0 W |
| Green | Blue | 12,5 W |
| Red | Green | 9,0 W |
| Yellow | Blue | 4,5 W |
| Red | Blue | 3,0 W |
| Red | Black | 8 Ω |

Sound pressure levels at 1W/1m P-6/15B

SPL vs Freq



Specifications

| | |
|-------------------------------|----------------------------------------|
| Material / Color | ABS, Polypropylene / RAL 7035 |
| Mounting | Aluminum bracket |
| Termination | Screw terminals in termination chamber |
| Weight w/transformer | 4,1 kg |
| IP-rating | 55 |
| Max. / min. amb. temp | 90°C / -40°C |
| Rated / max. power | 50 W / 70 W |
| SPL 1W/1m | 104 dB |
| SPL rated power | 121 dB |
| Effective freq. range | 140 – 16000 Hz |
| Dispersion (-6dB) 1kHz / 4kHz | 65° / 20° |
| Directivity factor, Q | |
| Options | Impedances, colors, labels |

Installation, Operation and Maintenance Procedures

- Unscrew lid, lead cable through cable gland and connect to terminal according to required power or 8Ω red : black.
- Tighten cable gland and fasten termination chamber lid with a torque of 1-2 Nm to assure IP grade.
- Fasten the bracket to wall or ceiling with 3 screws.
- To change the position of the loudspeaker, please adjust the bracket (by loosening / tightening the screws) as required.
- For optimum performance, always use the correct voltage / power and operate within the frequency limits as stated.
- Do not open loudspeaker when energized.
- This loudspeaker is supplied with a 2 year warranty against defective workmanship.

DNH reserves the right to alter specifications without notice

